

## Ambassador Autoclave

Specifications for an Ambassador 100 & 158 E & DS

### Design Features

- 100 or 158 litres
- MP25 Controller
- Robust space saving design
- Integral drip tray
- Grade 316 stainless steel chamber
- Anti door bolt over tight mechanism
- Complete versatility for almost any application

### Optional Accessories

- Loading Baskets
- Waste Discard System
- Fan Assisted High Speed Cooling
- Condense Collector, which eliminates a drain requirement.
- Air removal HEPA filter (for CAT3 environments)
- Data Printers & Chart Recorders
- Vacuum & Drying options
- Anti Lime scale system
- Loading Trolley



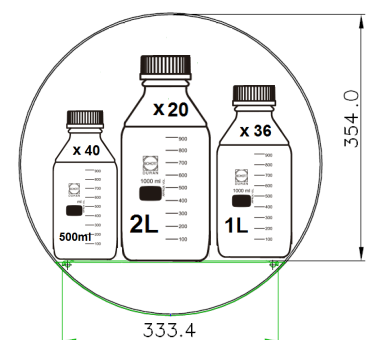
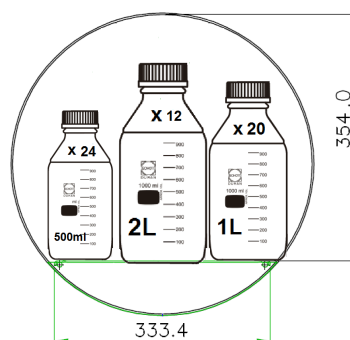
### Capacities and dimensions (approx)

Model	Ambassador 100	Ambassador 158
Autoclave Weight	215kg	255kg
Export Case Size	760w x 1590h x 1410d	760w x 1590h x 1410d
Overall Dimensions	650w x 1240h x 1160d	650w x 1240h x 1310d
Chamber Dimensions	460 Ø x 610d	460 Ø x 960d
Chamber Capacity	100 Litres	150 Litres
Water Consumption (in chamber / typical per cycle)	500ml	500ml
Water Consumption (Steam generator / typical per cycle)	10 litres	10 litres
1L Media Bottles	20	36
2L Media Bottles	12	20
500ml Media Bottles	24	40
Basket Dimensions (x2)	H270xW360xL300	H270xW360xL480
Basket Dimensions (single Basket)	H270xW360xL600	N/A
NHS Discard Boxes	H250xW320xL320 (1)	H250xW320xL320 (3)
Waste Discard Dimensions	H270xW360xL600	H270xW360xL480 (2)
Trolley	H671xW380xL1200	H671xW380xL1200



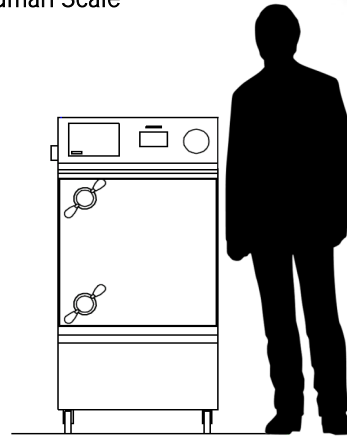
Ambassador 100

Ambassador 158



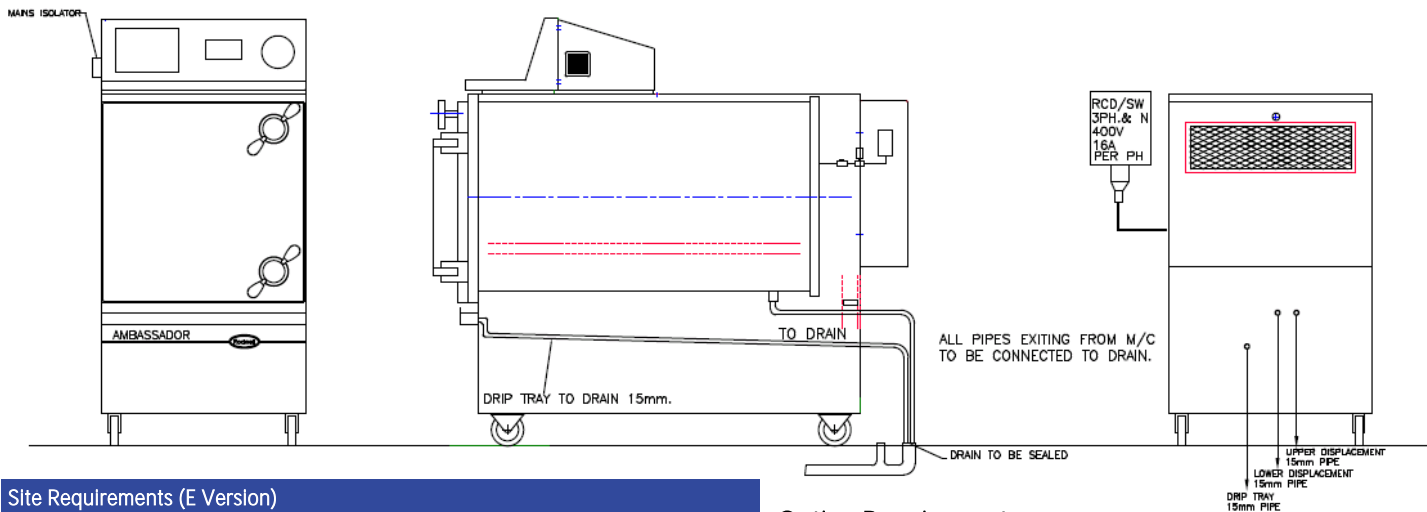


### Human Scale



Safe Design Operating Limits		
Model	Ambassador 100	Ambassador 158
Max working temperature	138°C	138°C
Min working temperature	7°C	7°C
Max ambient temperature	28°C	28°C
Min ambient temperature	11°C	11°C
Max hydraulic pressure	4.14 Bar	4.14 Bar
Max working pressure	2.62 Bar	2.62 Bar
Max working vacuum	Minus 1 Bar	Minus 1 Bar

### Typical Installation



Site Requirements (E Version)		
Electrical site requirement: 16 Amp Type C MCB required		
Model	Ambassador 100E	Ambassador 158E
Drain Requirements	150°C 35mmØ Copper	150°C 35mmØ Copper
Voltage	415v	415v
Phase Requirement	3ph/N 50/60 Hz	3ph/N 50/60 Hz
Power Consumption	9kw	9kw
Fuse Rating	16 amp	16 amp

### Option Requirements

- Air Supply at 38 psi, 7 cfm required for Air Ballasting option
- Post Cycle Drying will require AC701C vacuum option.
- Drain requirement of 150°C, 35Ømm copper pipe at floor level.

### General Requirements

- Sodium Chloride must not exceed a level greater than 500 ppm.
- Use regular mains water only. DO NOT USE distilled or RO water
- DS Version requires a mains steam supply of 38psi 9kw 35lbs/hour

Site Requirements (DS Version)		
Electrical site requirement: Switched RCD required		
Model	Ambassador 100DS	Ambassador 158DS
Drain Requirements	150°C 35mmØ Copper	150°C 35mmØ Copper
Mains Steam Supply	35 lb p/h @ 2.67 Bar	35 lb p/h @ 2.67 Bar
Voltage	230v	230v
Phase Requirement	1ph/N 50/60 Hz	1ph/N 50/60 Hz
Power Consumption	1kw	1kw
Fuse Rating	5amp	5amp

### Complying Standards

- PED Cat 2 Module B+D Notified Body: British Engineering No. 0040
- Harmonised Standards applied: EMC BS EN 61326
- Community directives applied : Pressure Equipment Directive – PED 2014/68/EU (formerly PED 97/23/EC)
- Designed in accordance with PD5500 (formerly BS5500) & BS2646
- Chamber and Door constructed of stainless steel BS-EN 10028-7:316
- ISO 9001: 2008
- CE Marked

Information is subject to change to suit different options added. This information is correct as of 19th July 2016, E & OE



# WolfLabs

**Pricing on any accessories shown can be found by keying the part number into the search box on our website.**

The specifications listed in this brochure are subject to change by the manufacturer and therefore cannot be guaranteed to be correct. If there are aspects of the specification that must be guaranteed, please provide these to our sales team so that details can be confirmed.

**[www.wolflabs.co.uk](http://www.wolflabs.co.uk)**

**Tel : 01759 301142**

**Fax : 01759 301143**

**[sales@wolflabs.co.uk](mailto:sales@wolflabs.co.uk)**

Please contact us if this literature doesn't answer all your questions.